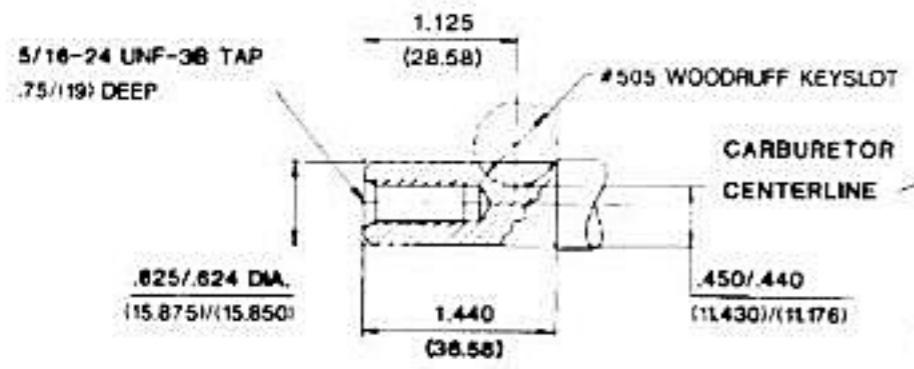
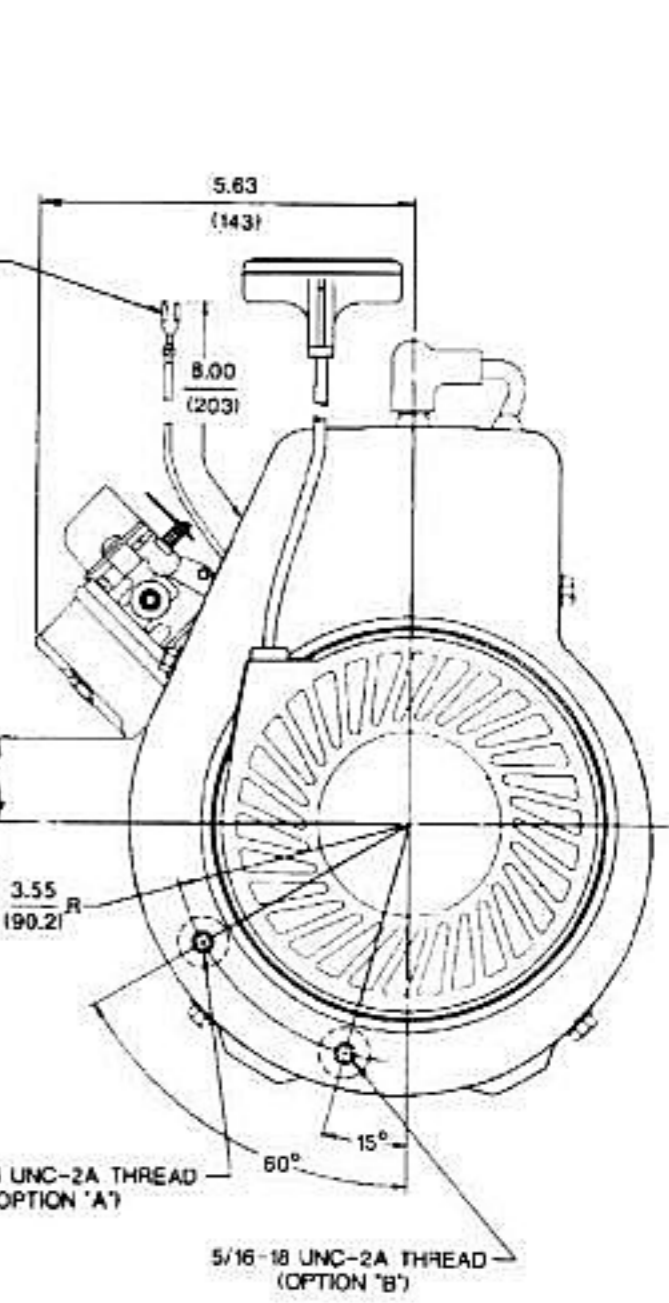
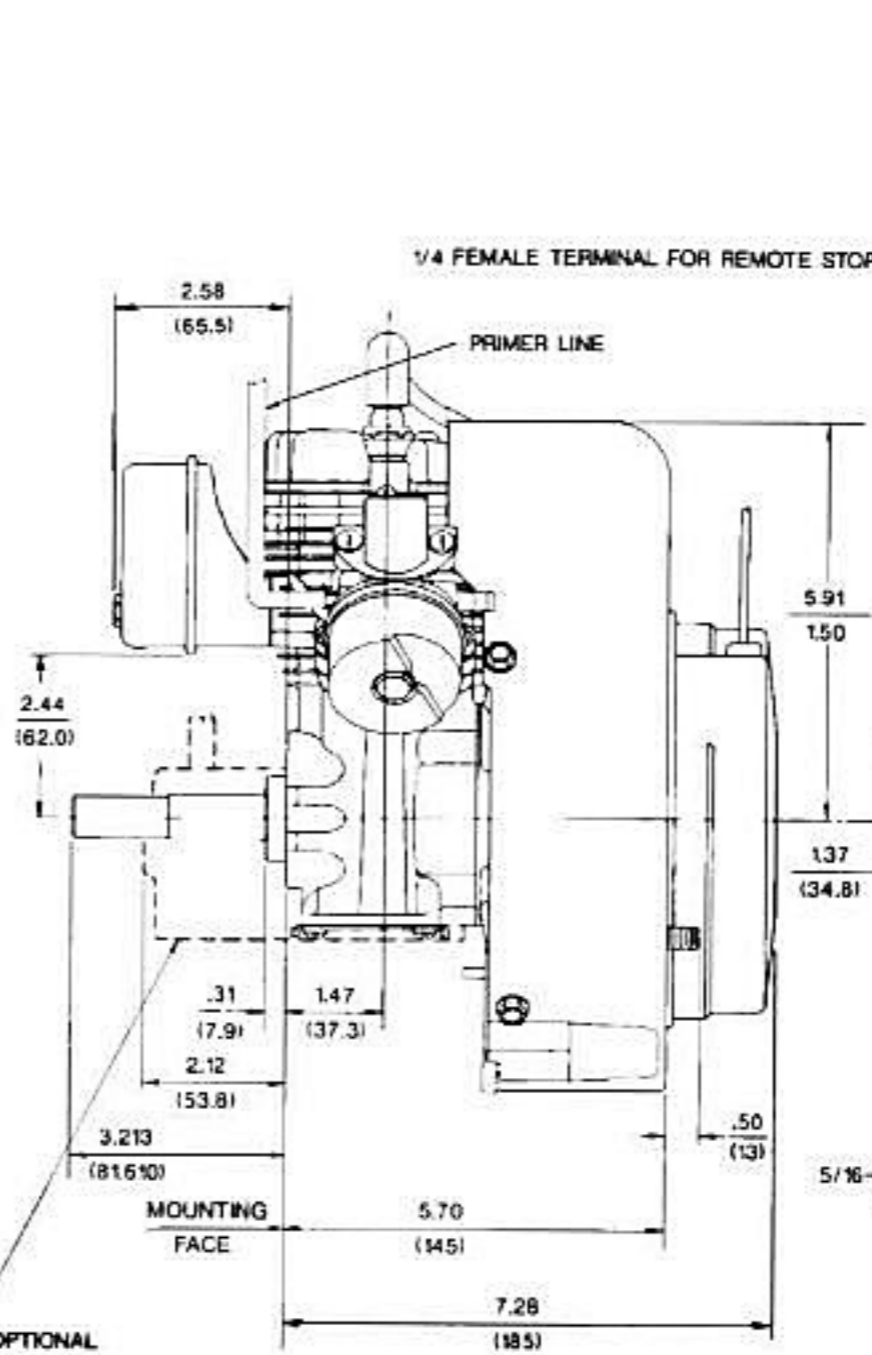
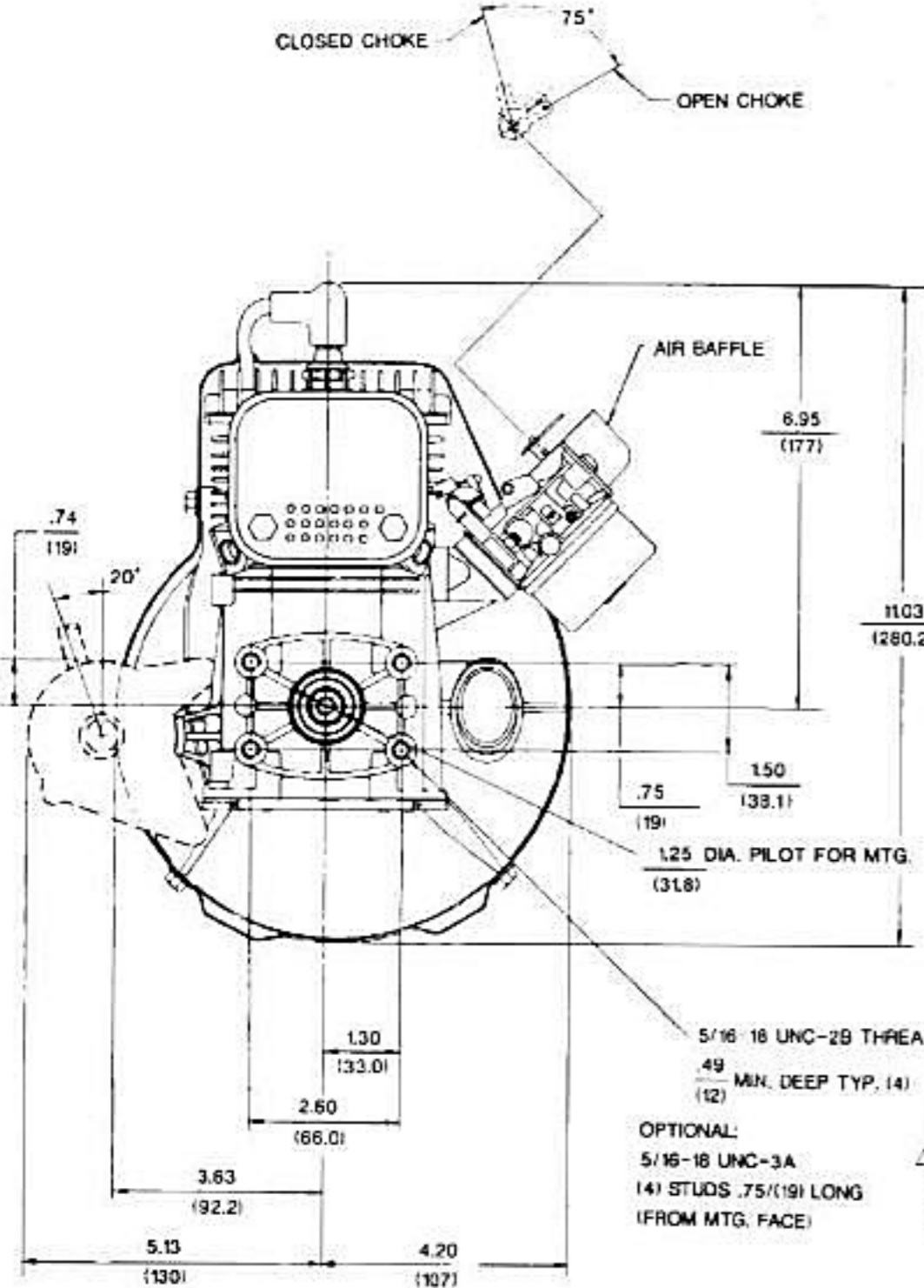
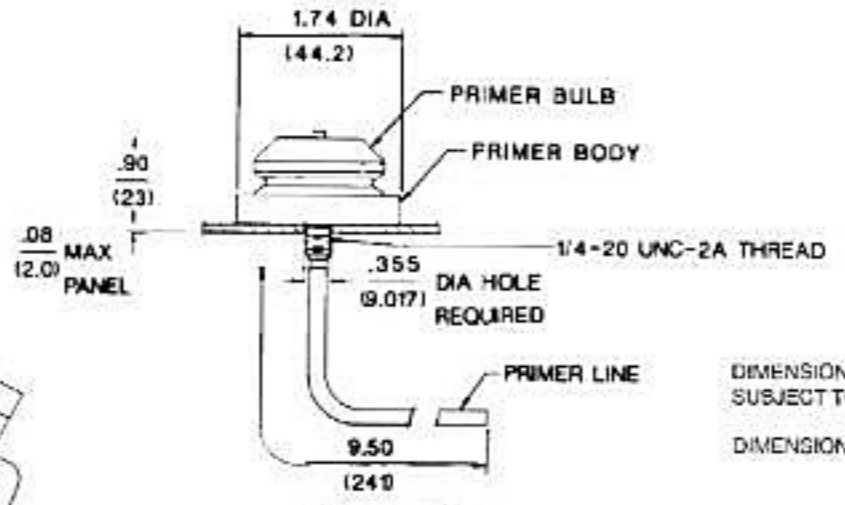
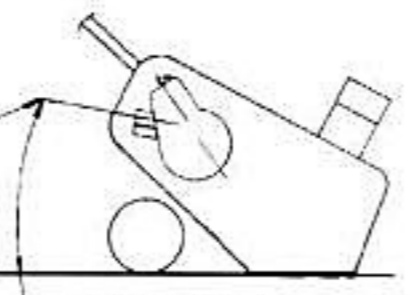


CLOSED CHOKE
75°
OPEN CHOKE



CRANKSHAFT EXT. DETAILS



DIMENSIONS SHOWN ARE NOMINAL AND ARE SUBJECT TO PRODUCTION TOLERANCES
DIMENSIONS SHOWN IN () ARE MILLIMETERS